



ALR-9608 Small, rugged RFID antenna

The Alien Technology® ALR-9608 is a rugged, small form-factor antenna for RFID applications. At only 5.2 inches square, this antenna fits where larger antennas do not.

At only 5.2 inches square the ALR-9608 antenna fits where most patch antennas do not, enabling many precisely-fitted applications.

This antenna is ideal for use in office and retail applications due to its small size, which enables discrete, out-of-the-way installations.

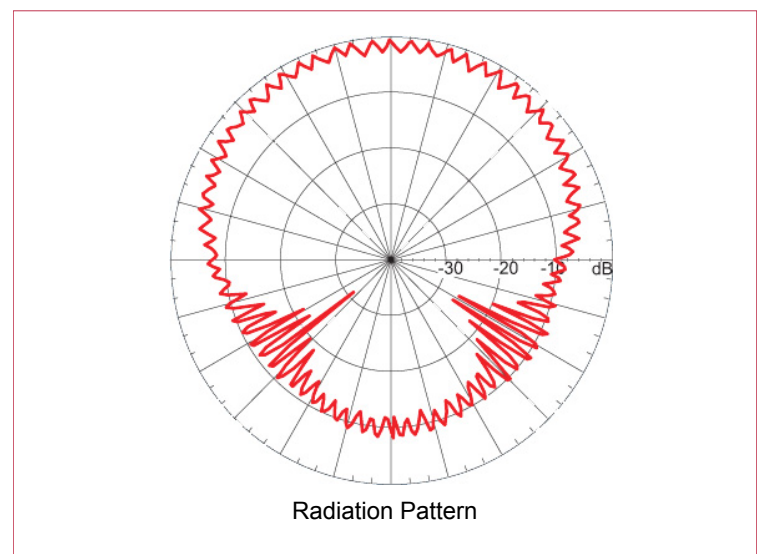
At the same time, its rugged package makes it suitable for industrial, mobile and manufacturing applications.

Optimized for 902-928 MHz, this antenna is suitable for EPC Gen 2 and ISO 18000-6c RFID applications in the Americas, Asia and Australia.

- Very small size
- Rugged package
- Circularly polarized
- Low axial ratio
- Removable, low-loss cable
- Weather resistant

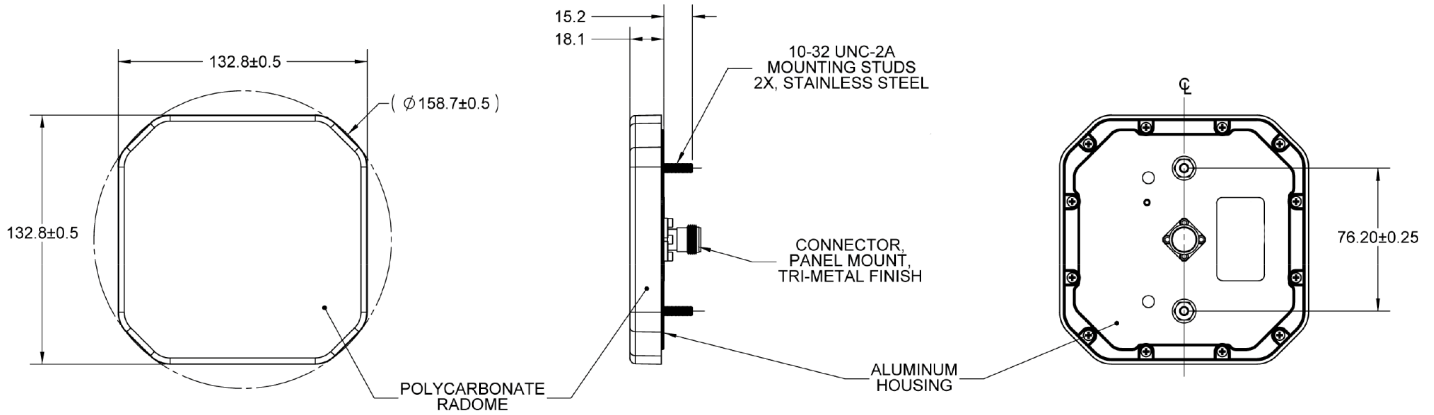


ALR-9608





ALR-9608 RFID Antenna



Parameter	Specification
Model Number	ALR-9608
Frequency	902 to 928 MHz
Gain (nom)	2.5 dBiL, 5.5 dBiC without cable; 0 dBiL, 3dBiC with cable;
VSWR (max)	1.5
Axial ratio (typ)	2.0
3 dB beamwidth - azimuth (max)	100 degrees
Polarization	Right-handed circular
Impedance	50 Ohms
Dimensions	5.2" (133 mm) x 5.2" (133 mm) x 0.71" (18 mm)
Weight	13 oz (370 g) without cable
Connector and cable	Reverse polarity TNC / removable, 6 meter LMR195 cable
Mounting	Two 10-32 threaded studs -25C to +70C operating temp, IP54 dust and moisture, UV stable



154 State Street
 North Haven, CT 06473
 866.792.0031
www.gatewayrfidstore.com